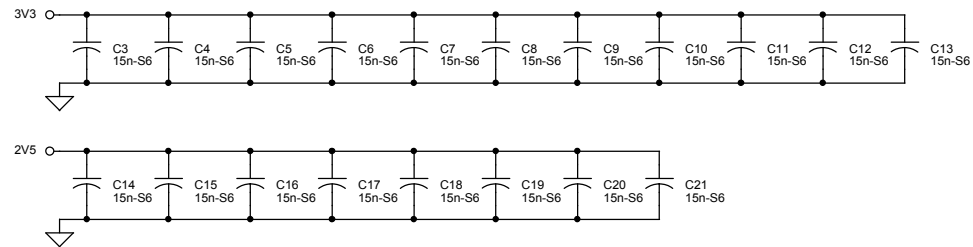
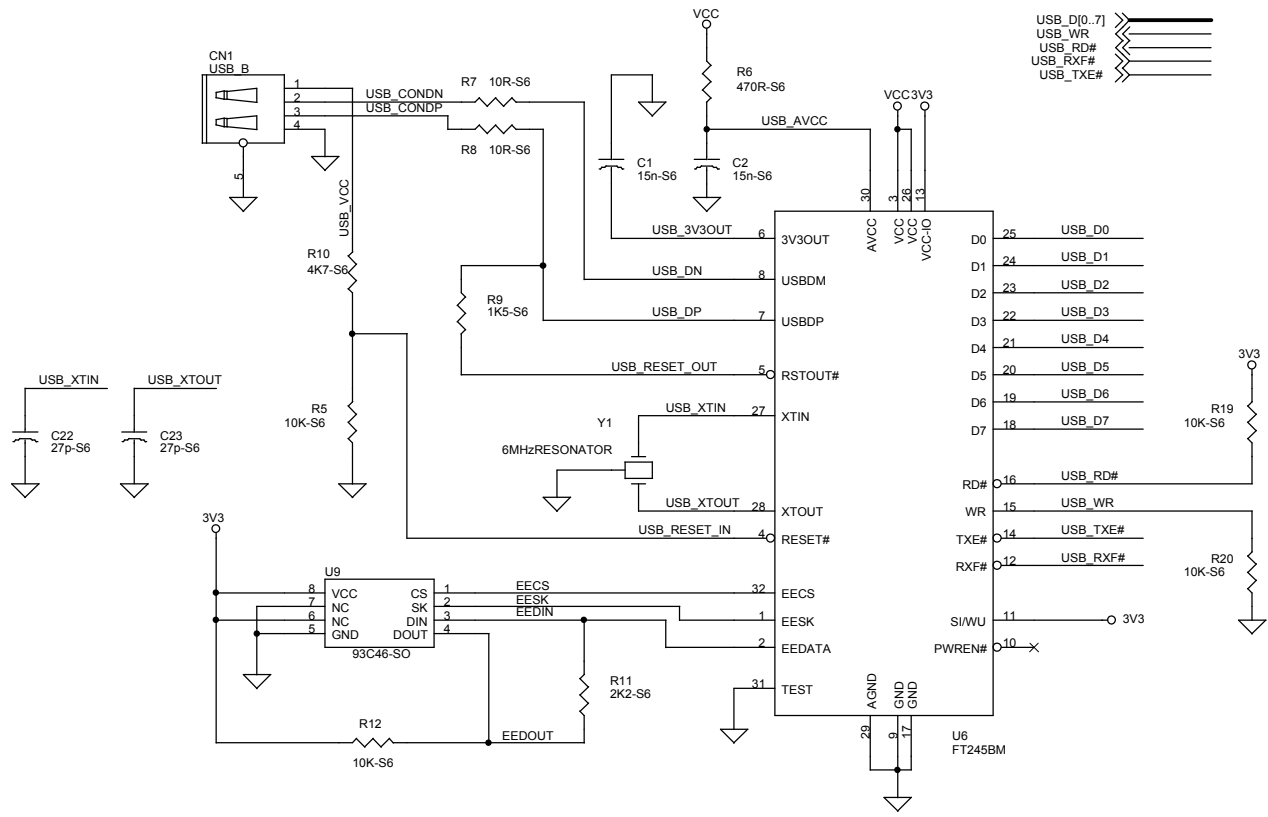


Title		
EZ2SUSB		
Size	Document Number	Rev
B		01
Date:	Sheet 1 of 2	



Title			EZ2SUSB		
Size	Document Number				Rev
B					01
Date:	Sheet				2 of 2
					1