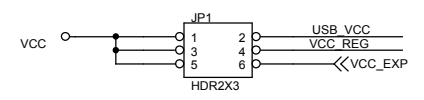
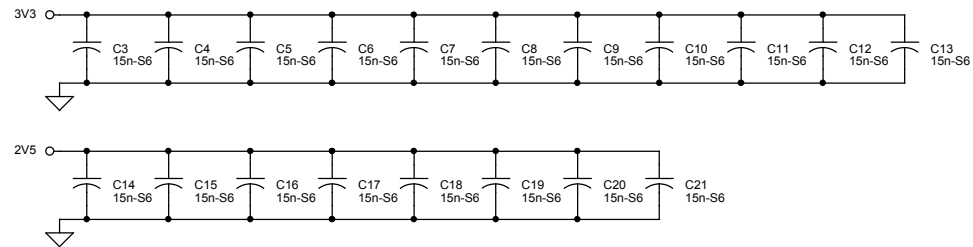
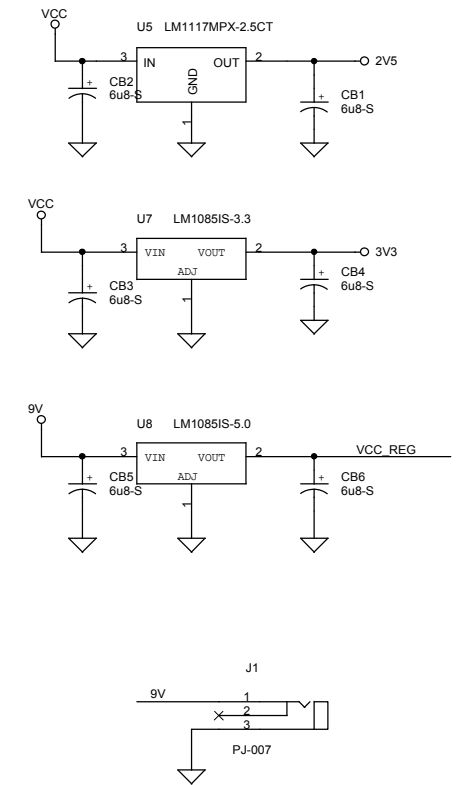
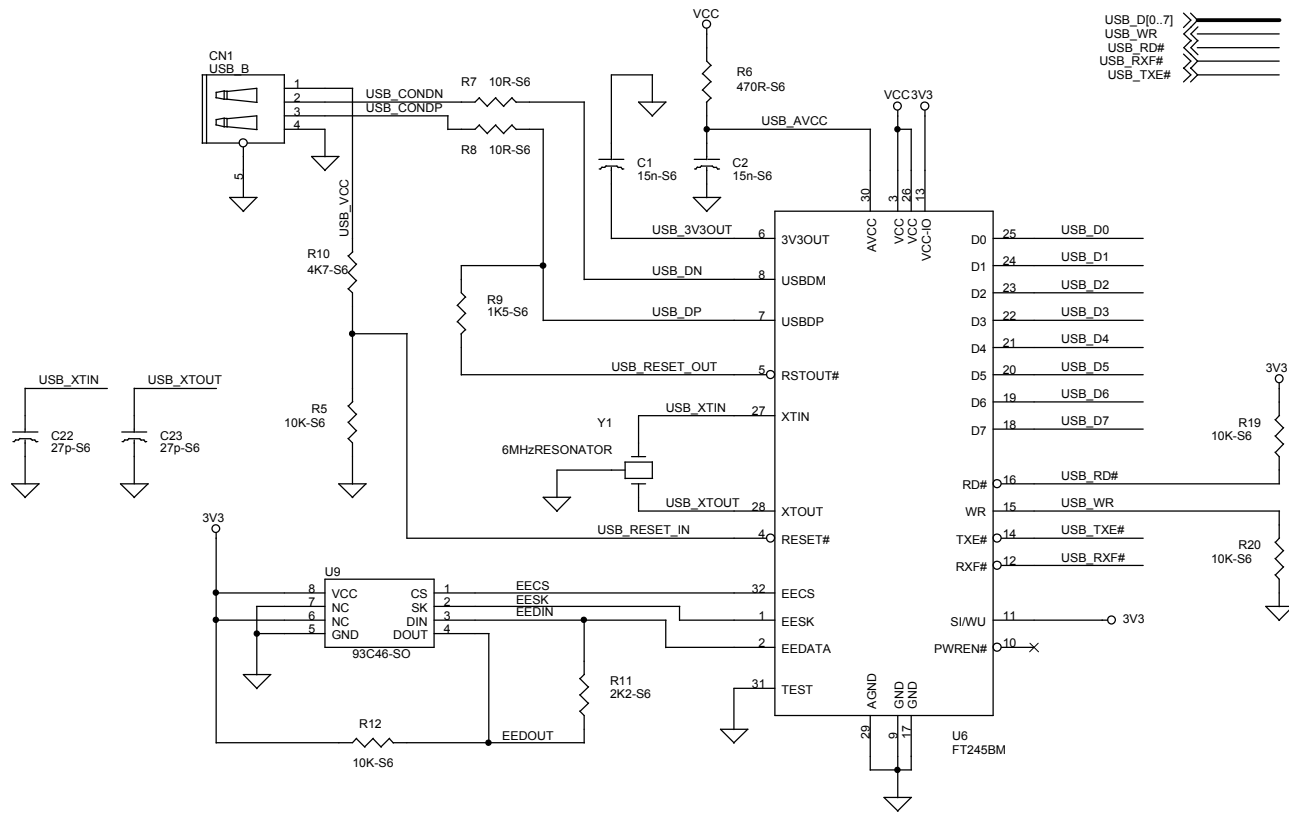


Title		
EZ1KUSB		
Size	Document Number	Rev
B	<Doc>	02
Date:	Sheet 1 of 2	



Title		
EZ1KUSB		
Size	Document Number	Rev
B	<Doc>	02
Date:	Sheet 2 of 2	